

Air Injector

Optimize Dense Phase Flow – Injector helps control slug length for smoother dense phase conveying. Cyclonaire’s patented convey line injectors improve high pressure dense phase slug flow throughout the convey line. Well suited for slug conveying of non-porous materials.

By improving flow, lower source tank pressure and lower material velocities can be used, minimizing degradation of friable and fragile products and reducing abrasive wearing of the line.

The line injector operates at pressures up to 100 PSIG. Metered volumes are regulated by a patented locking needle type flow adjustment valve complete with adjusting nut and rubber seating boot. Built-in automatic check valve prevents back flow into control air supply.

Assists in restarting dense phase flow after shut down without convey line clean out.

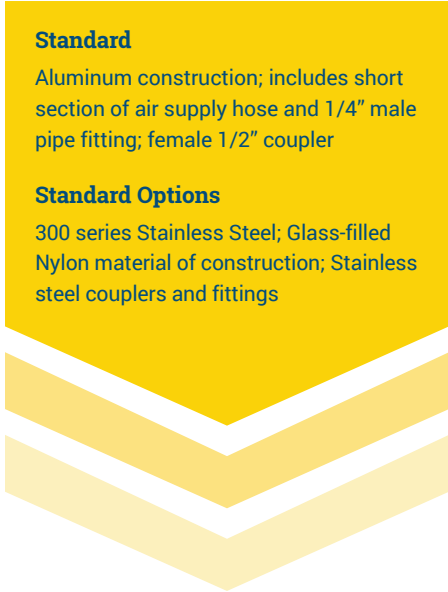
Protected by U.S. Patent Nos. 4,898,208 and 202,381 and other foreign patents

Standard

Aluminum construction; includes short section of air supply hose and 1/4" male pipe fitting; female 1/2" coupler

Standard Options

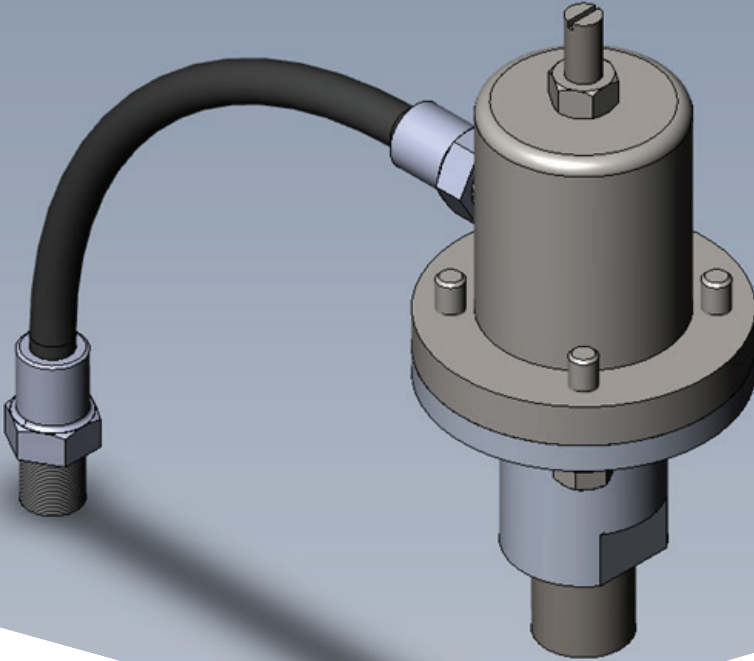
300 series Stainless Steel; Glass-filled Nylon material of construction; Stainless steel couplers and fittings



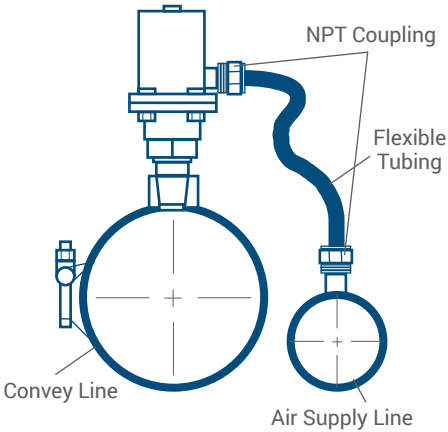
Virtually Maintenance Free – Quick, simple installation with a 1/2" coupler standard injector is purely mechanical for robust operation.

Simple Requirements - 80-100 psig clean, dry compressed air.

Rendering of Cyclonaire's Air Injector



Typical Configuration (not to scale):



Estimated air flow per injector.

| PSI Setting | Rounds Injector Stem Is Turned On | | | | | |
|-------------|-----------------------------------|------|------|------|------|------|
| | .5 | 1 | 1.5 | 2 | 3 | 4 |
| | SCFM Air Flows | | | | | |
| 20 | 1 | 3.2 | 4 | 4.4 | 4.4 | 4.4 |
| 30 | 1.5 | 4.8 | 6.8 | 7 | 7.5 | 7.5 |
| 40 | 2 | 6 | 8.4 | 9.8 | 10.4 | 11 |
| 50 | 2.5 | 6.2 | 8.9 | 10.8 | 11.8 | 13.2 |
| 60 | 3 | 7.4 | 11.3 | 13.2 | 13.5 | 14.6 |
| 70 | 3.5 | 8.8 | 13 | 15.5 | 16.8 | 17.2 |
| 80 | 4 | 9 | 13.3 | 15.8 | 18.7 | 19.8 |
| 90 | 4.7 | 10.2 | 15.6 | 19 | 21.5 | 22.2 |
| 100 | 5.1 | 11.2 | 16.2 | 20 | 21.8 | 24.3 |
| 110 | 5.6 | 12.8 | 18.4 | 21.6 | 24 | 27 |

Contact sales@cyclonaire.com.

cyclonaire
pneumatic conveying solutions

(800) 445-0730 | cyclonaire.com