

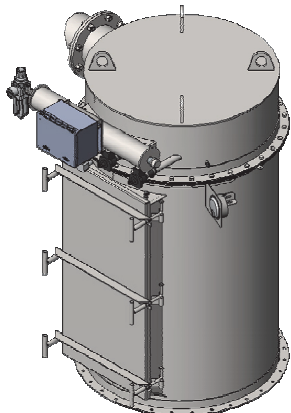
# Filter/Vacuum Receivers

Cyclonaire Filter Receivers are used for integrating dust filtration into systems with larger pressure fluctuations requiring more plenum rigidity. They feature a round design with a standard pressure rating of -15" HG / +15" HG making them well suited for both pressure or vacuum convey applications. Custom heavier-duty options are available for full vacuum and 14.5 PSIG pressure.

**Peak performance** - Filters are kept clean with reverse-pulse cleaning using 3-10 SCFM of compressed air (depending on size) to maximize filter life and ensure media effectiveness.

**Services Alerts** - Differential pressure gauges (or optional switches) for filter service indications.

**Flexible Installation Options** - For inventory management, a surge hopper and load cells are available additions to this unit.



## Standard

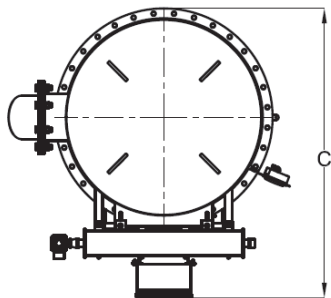
Robust Carbon Steel Construction; 24 VDC NEMA 4 Enclosure; Differential Gauge; Bottom-Removable Pleated Filter Element; Filter Grid; Bird Screen on Exhaust Outlet; Cyclonaire Blue Paint

## Standard Options

PTFE-Coated Filters; Differential Pressure Switch, Differential Pressure Transmitter; Back Purge of Differential Available; 304 Stainless Steel Material Contact; 120 VAC Controls; High-Temp Filters; Flange on Exhaust Outlet; Adaptable for Vacuum Pump Usage

## Custom Options

316/316L Stainless Steel Material Contact; Surge Hopper; Pressure Rating up to 15 PSIG; Top-Removable Filters with Access Platforms; Explosion Protection; Classified Area Enclosure; Exhaust Orientation; Custom Colors/Coatings Available; Broken Bag Detector; Autonomous (DP Switch) Control; Process Pressure Monitoring

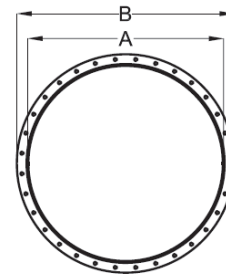
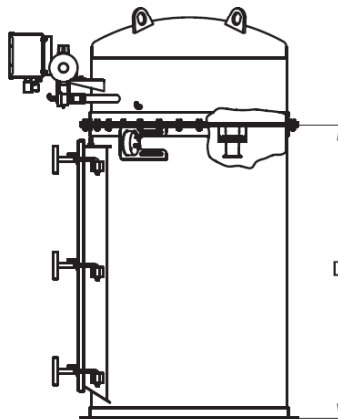
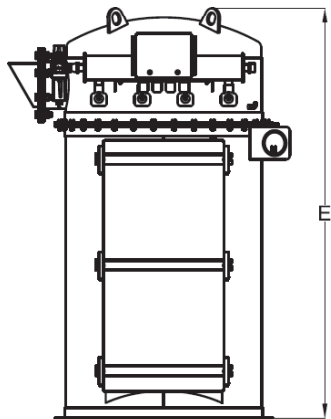


	Filter Area	Max. Air Flow Recommended	A Inner	B Outer	C	D	E	Approx. weight
Model	[ft <sup>2</sup> ]	[cfm] x surge	[in]	[in]	[in]	[in]	[in]	[lbs]
36-FR-8	189.6	569	30	34.25	48	54	76	670
36-FR-14	331.8	995	36	40.25	54	54	76	856
36-FR-18	426.6	1280	42	46.25	65	54	76	1161
36-FR-24	568.8	1706	48	52.25	73	54	80	1414
36-FR-30	711	2133	60	64.25	84	54	80	1825
36-FR-36	853.2	2560	60	64.25	84	54	80	2116
36-FR-42	995.4	2986	72	76.25	97	54	83	2434
36-FR-54	1279.8	3839	72	76.25	96	54	83	2674

Standard Filters: Pleated Filter Element

Filter Area listed assumes standard filter sizes. Use of different filter media may effect these values

Dimensions and weights are subject to change without notice



Contact [sales@cyclonaire.com](mailto:sales@cyclonaire.com)

**cyclonaire**  
pneumatic conveying solutions

(800) 445-0730 | [cyclonaire.com](http://cyclonaire.com)