

HC Series Conveyors

The HC Series conveyor is a high capacity, side inlet, vacuum loaded, semi-dense phase conveyor with a capacity to 80+ TPH. It is best suited for powdered materials that are abrasive or fluidizable. Medium pressure blower air is used to venturi-induced vacuum load and pressure convey air at intermediate line velocities and material-to-air ratios for less abrasive wear and particle degradation. Integral dust separation is included.

Reduced Venturi Wear— HC Series conveyors feature integral dust separation for reduced venturi wear.

Less Operator Supervision— Automated controls reduce manpower requirements.

Shorter Heights than Gravity Fill Version— Ideal for low head room scenarios.

Adaptable to a Wide Variety of Applications— Capable of applications from bulk carrier unloading, IBC and bulk bag unloading to in-plant transfers.

Standard

Carbon Steel Construction; 24 VDC Instrumentation; NEMA 4 Enclosure; High-Level Probe; Source Aeration; Butterfly Outlet Valve; Pressure Switch on Supply Air; Tank Pressure Gauge; Convey Line Pressure Gauge; Silicone VibraPads; Cyclonaire Blue Paint

Standard Options

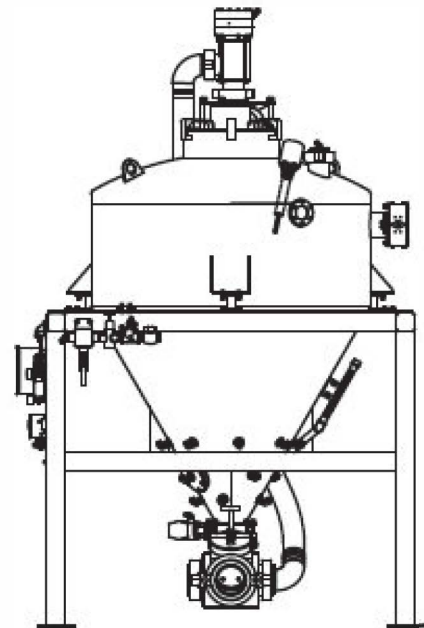
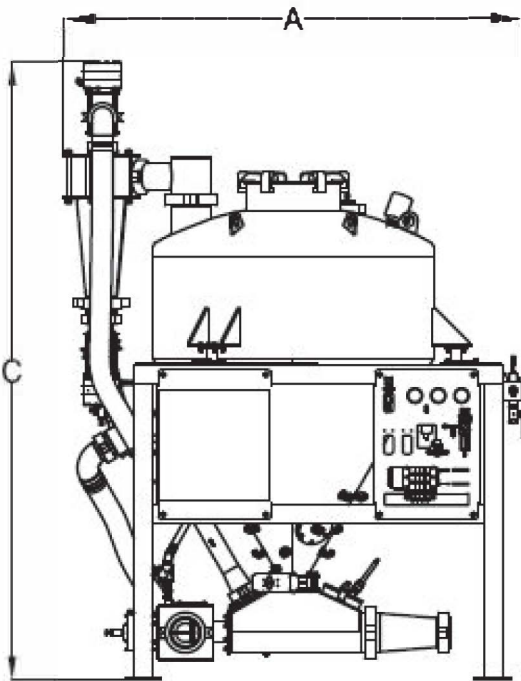
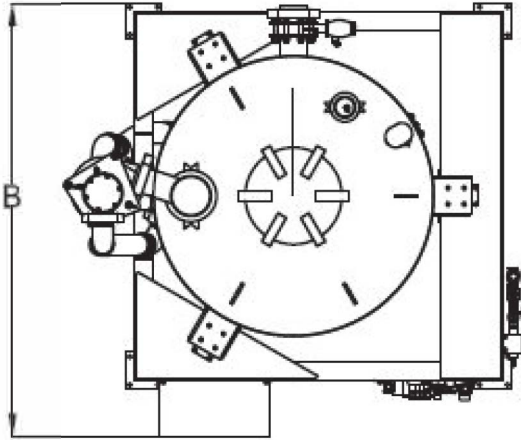
304 Stainless Steel Material Contact; Cyclonaire White Paint; Ceramic Lining on Manifold and Venturi; Pressure Transmitters; Numerous Inlet Valve Options; 2" Vacuum Wand; Neoprene VibraPads; Felt Media Pads; Steel Media Pads

Custom Options

Custom Colors/Coatings Available; 316/316L Stainless Steel Material Contact

Requirements:

- 15 PSIG blower for motive air
- 90 PSIG control air at 5 SCFM
- Power source



	Tank Volume	Tank Diameter	A	B	C	Approx. Weight Empty
Model	[ft ³]	[in]	[in]	[in]	[in]	[lbs]
HC-3	3	24	54	43	64	700
HC-10	10	30	76	55	84	830
HC-20	20	42	83	77	112	2800
HC-30	30	42	87	80	112	2900
HC-50	50	60	100	97	133	3400
HC-75	75	60	105	97	133	3900
HC-100	100	72	106	102	144	4100
HC-150	150	72	113	106	166	5200
HC-200	200	84	113	111	173	6500

Dimensions and weights are subject to change without notice
 HC-100 models and larger ship as a split tank (top and bottom)
 Weight estimates are of EMPTY conveyor

Contact sales@cyclonaire.com

cyclonaire
 pneumatic conveying solutions

(800) 445-0730 | cyclonaire.com